

IND-4EO126P-E

24-Port 100 Mbps Long-Range Unmanaged PoE Switch



IND-4EO126P-E is a layer 2 100 Mbps PoE switch. Based on wire-speed forwarding, the switch supports Ethernet PoE power supply and extend mode. The power supply distance reaches as long as 100 m. It also supports prior and stable transmission of the surveillance area video connected to the ports.

Feature and Function



Intelligent PoE Management.

- When the power supply exceeds the limit, PoE ports intelligently manage the power supply, which extends the switch lifetime.

Up to 100 m Long Range PoE Transmission.

- The distance between IPCs and switch can reach maximum 300 meters.

4/8-Core Adaptive Power Supply with Less Power Loss.

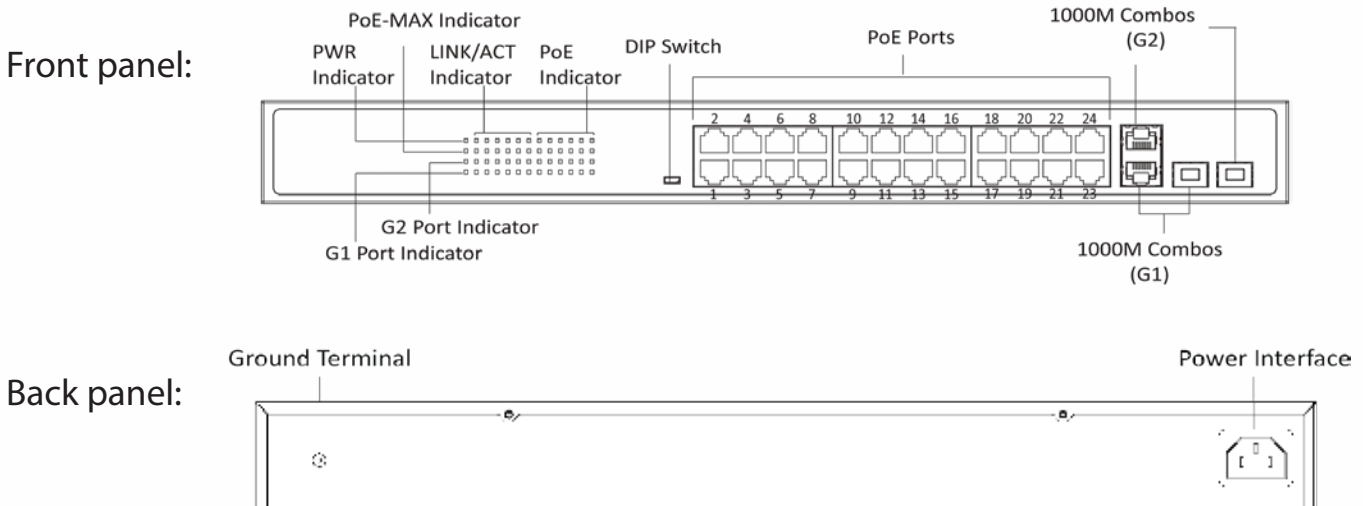
- 8-core power supply reduces the power loss on cables.

6KV Surge Protection to Improve Reliability in Harsh Environment.

- The built-in surge protection device protects the switch from the sudden lightning surge in harsh environment.

Model	IND-4EO126P-E
Fixed Port	24°10/100Base-TX PoE port (Data/Power) 2°10/100/1000Base-TX up link RJ45 port (Data) 1°1000M SFP
PoE Ports	1-24 port supports PoE, Max POE Distance 100Meter
Function	100M:100Meter POE, the transmission rate is 100Mbps 250M: Extend 250Meter POE, VLAN Mode, the transmission rate is 10Mbps
Network Protocol	IEEE 802.3 IEEE 802.3i 10BASE-T IEEE 802.3u100BASE-TX IEEE 802.3ab 1000BASE-T IEEE 802.3x IEEE 802.3z 1000BASE-X IEEE 802.3af/at
PoE Standard	IEEE802.3af/at
Port Specification	10/100BaseT (X) Auto
Transmission Mode	Store and Forward (full wire speed)
Bandwidth	54Gbps
Packet Forwarding	6.62Mpps
MAC Address	2K
Buffer	2.5M
Transmission Distance	10BASE-T : Cat3,4,5 UTP(≤250 meter) 100BASE-TX : Cat5 or later UTP(150 meter) 1000BASE-TX : Cat6 or later UTP(150 meter) 1000BASE-SX:62.5μm/50μm MMF(2m~550m) 1000BASE-LX:62.5μm/50μm MM(2m~550m) or 10μm SMF(2m~5000m)
Power Pin	Default 1/2(+), 3/6(-); Optional order 4/5(+), 7/8(-)
Single port power	Average 15.4W; MAX 30W
Total power/Input voltage	MAX 400W (AC100-240V 50/60HZ)
Power Input	Built-in Power AC: 100~240V 50-60Hz 1A
Operating Temperature/Humidity	-10°C~+55°C; 5%~90% RH Non coagulation
Storage Temperature/Humidity	-40°C~+75°C; 5%~95% RH Non coagulation
Product size/Packing size (L*W*H)	31*18.5*4.4CM/34.2*25.4*7.8CM
N.W/G.W (kg)	2.3kg/2.7kg
Installation	Rack mount
Certificate	FCC, CE, ROHS

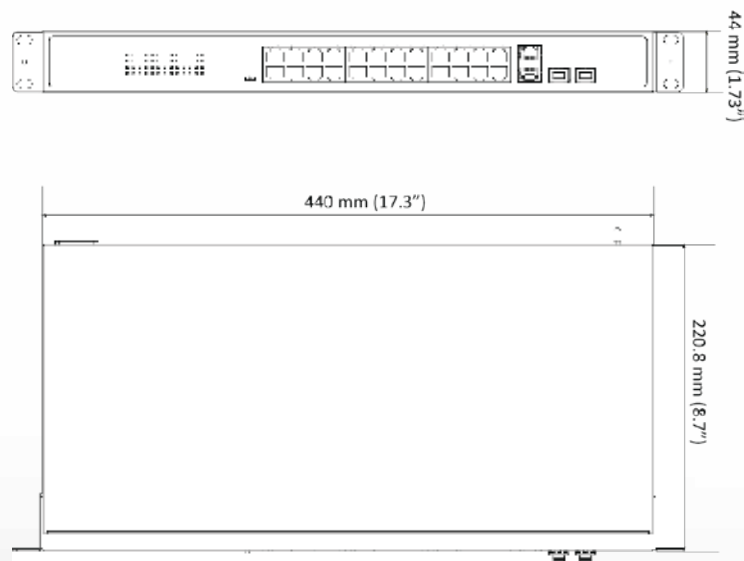
Physical Interface



Available Model

IND-4EO126P-E

Dimension (unit: mm)



Typical Application

- Data
- Power+Data(PoE)
- Optical Fiber

